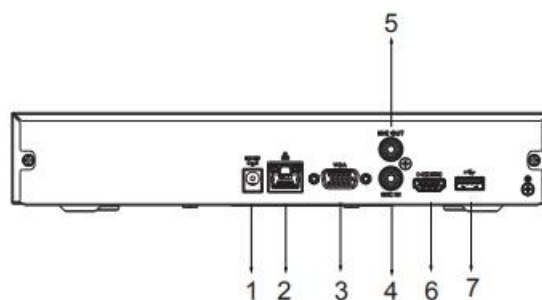


E-N-AI08-1^{PRO}

8 Channels 1U 1HDD Network Video Recorder



Panels



- | | |
|----------------------------|---------------------------|
| 1 DC 12V Power Input | 2 Network Port |
| 3 VGA Port | 4 AUDIO IN, RCA Connector |
| 5 AUDIO OUT, RCA Connector | 6 HDMI Port |
| 7 USB Port | |

Technical Specification

System

Main Processor	Industrial-grade processor
Operating System	Embedded Linux
Operating Interface	Web, Local GUI

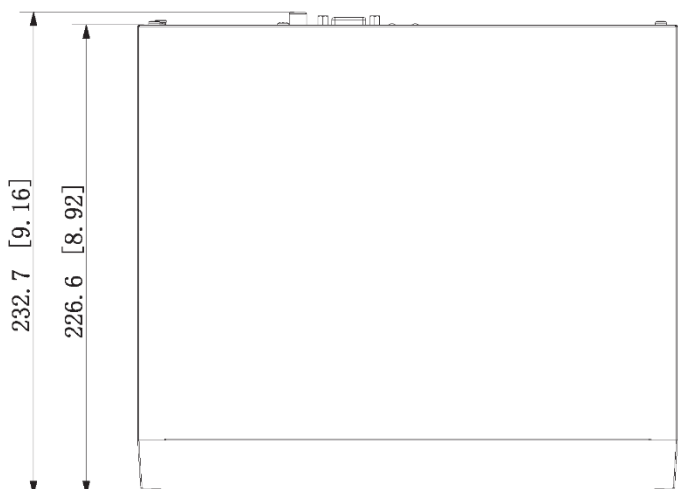
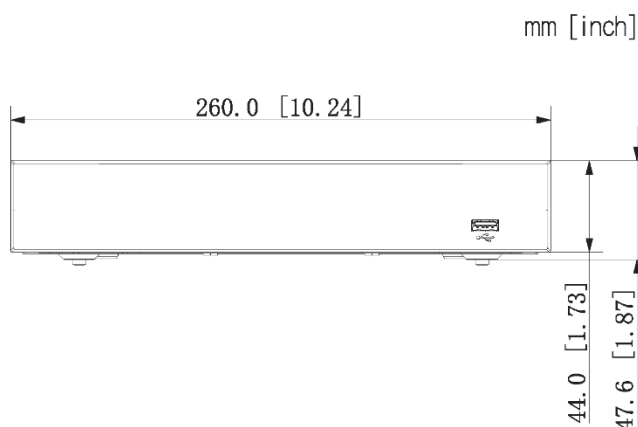
AI

AI by Camera	Face detection; face recognition; perimeter protection; SMD Plus
AI by Device	Face detection; face recognition; perimeter protection; SMD Plus;

Perimeter Protection

Perimeter Performance AI by Device (Number of Channels)	1
Perimeter Performance of AI by Camera (Number of Channels)	4

Dimensions mm (inch)



Technical Specification

Face Detection

Face Attributes	6 attributes: Gender; age group (6); glasses; expressions (8); mouth mask; beard
Face Detection Performance of AI by Device (1080P) (Number of Channels)	1 (up to 12 face images/second)
Face Detection Performance of AI by Camera (Number of Channels)	5

Face Recognition

Face Database Capacity	Up to 10 face databases with 5,000 images
Face Recognition Performance of AI by Device (1080P) (Number of Channels)	1 (up to 4 face images/second)
Face Recognition Performance of AI by Camera (Number of Channels)	5

SMD Plus

SMD Plus by Device	4
SMD Plus by Camera	6-channel SMD Plus (AI by camera): Detects tripwire and intrusion of human or vehicle; filters false alarms caused by leaves, raindrops and change of brightness away

Video

Access Channel	8 channels
Network Bandwidth	80 Mbps for access, 80 Mbps for storage and 60 Mbps for forwarding.
Resolution	12MP; 8MP; 5MP; 4MP; 3MP; 2MP; 720p; D1
Decoding Capability	AI disabled: 1-channel 12MP@30 fps; 1-channel 8MP@30 fps; 2-channel 5MP@30 fps; 3-channel 4MP@30 fps; 6-channel 1080p@30 fps AI enabled: 1-channel 8MP@30 fps; 1-channel 5MP@30 fps; 2-channel 4MP@30 fps; 4-channel 1080p@30 fps
Video Output	1 × VGA, 1 × HDMI (simultaneous)
Multi-screen Display	1, 4, 8, 9 views
Third Party Camera Access	Onvif

Compression

Video	Smart H.265+; H.265; Smart H.264+; H.264; MJPEG
Audio	PCM; G711A; G711U; G726

Network

Network Protocol	HTTP; HTTPS; TCP/IP; IPv4; RTSP; UDP; NTP; DHCP; DNS; SMTP; UPnP; IP Filter; DDNS; Alarm Server; IP Search (Supports Dahua IP camera, DVR, NVS, etc.); P2P; Auto Registration
Mobile Phone Access	Android; iOS
Interoperability	ONVIF (profile T; profile S; profile G); CGI; SDK
Browser	Chrome; IE9 or later; Firefox

Record Playback

Multi-channel Playback	Up to 8 channels
Record Mode	Manual record; alarm recordings; motion detection recordings; scheduled recordings
Storage	Local HDD and network
Backup	USB device
Playback Function	1. Play; pause; stop; fast forward; fast backward; rewind; play by frame 2. Full screen; backup (vide clip/file); partially zoom in; audio on/off

Alarm

General Alarm	Motion detection; privacy masking; video loss; PIR alarm; IPC alarm
Anomaly Alarm	Camera offline; storage error; disk full; IP conflict; MAC conflict; login lock; cyber security exception
Intelligent Alarm	Face detection; face recognition; perimeter protection (intrusion and tripwire); IVS; SMD Plus
Alarm Linkage	Recording; snapshot; buzzer; log; preset; email; tour

External Port

HDD	1 SATA port, up to 10 TB. The maximum HDD capacity varies with environment temperature
USB	1 × front USB2.0; 1 × back USB2.0
HDMI	1 (max. resolution: 4K)
VGA	1
Network	1 × RJ-45 (10 or 100 Mbps)
RCA Input	1
RCA Output	1
RCA Output	1

Technical Specification

General

Power Supply	12 VDC, 1.5 A
Power Consumption	Total output of NVR is \leq 10 W (without HDD)
Net Weight	0.81 kg
Gross Weight	1.38 kg
Product Dimensions	260 mm \times 232.7 mm \times 47.6 mm (W \times L \times H)
Packaging Dimensions	89 mm \times 333 mm \times 315 mm (W \times L \times H)
Operating Temperature	-10 °C to +55 °C
Storage Temperature	0 °C to 40 °C
Operating Humidity	10%–93% (RH)
Storage Humidity	30%–85%
Operating Altitude	3,000 m
Installation	Desktop
Certifications	FCC: 47 CFR FCC Part15, SubpartB, Class A CE-EMC: EN 55032: 2015, Class A; EN IEC 61000-3- 2: 2019; EN 61000-3-3: 2013+A1: 2019; EN 55024: 2010+A1: 2015; EN 55035: 2017; EN 50130-4: 2011+A1: 2014 CE-LVD: EN 62368-1: 2014+A11: 2017

